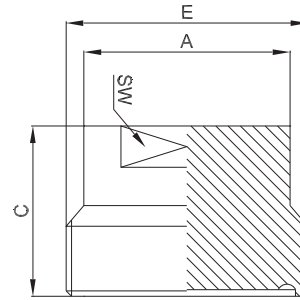




2.1.4 Steril-Blindgewindestutzen STERI-Connect®

aseptic blind threaded connecting piece (male part)



zusätzliche Oberflächenqualitäten analog Seite | additional surface qualities analog page 7

weitere Abmessungen auf Anfrage | further dimensions on request

DIN	Abmessung dimension	A	C	E (M)	SW	MB 1.4435			
DN006	8.0 x 1.0	8.0	26.0	16 x 1.5	10.0	700018			
DN008	10.0 x 1.0	10.0	26.0	18 x 1.5	10.0	700020			
DN010	12.0 x 1.0	12.0	27.0	22 x 1.5	14.0	700022			
DN010	13.0 x 1.5	13.0	27.0	22 x 1.5	14.0	709836			
DN015	19.0 x 1.5	19.0	27.0	30 x 1.5	16.0	700011			
DN020	23.0 x 1.5	23.0	27.0	36 x 2.0	20.0	700012			
DN025	29.0 x 1.5	29.0	27.0	42 x 2.0	24.0	700013			
DN032	35.0 x 1.5	35.0	29.0	52 x 2.0	30.0	700015			
DN040	41.0 x 1.5	41.0	30.0	56 x 2.0	36.0	700016			
DN050	53.0 x 1.5	53.0	30.0	68 x 2.0	36.0	700017			
DN065	70.0 x 2.0	70.0	38.0	90 x 3.0	36.0	700019			
DN080	85.0 x 2.0	85.0	38.0	100 x 3.0	36.0	700021			
DN100	104.0 x 2.0	104.0	40.0	130 x 4.0	36.0	700010			

ISO	Abmessung dimension	A	C	E (M)	SW	MB 1.4435			
DN008	13.5 x 1.6	13.5	27.0	22 x 1.5	10.0	700024			
DN010	17.2 x 1.6	17.2	27.0	26 x 1.5	14.0	700009			
DN015	21.3 x 1.6	21.3	26.0	30 x 1.5	16.0	703794			
DN020	26.9 x 1.6	26.9	28.0	36 x 2.0	20.0	703116			
DN025	33.7 x 2.0	33.7	29.0	42 x 2.0	24.0	703117			
DN032	42.4 x 2.0	42.4	30.0	52 x 2.0	30.0	703121			
DN040	48.3 x 2.0	48.3	30.0	56 x 2.0	36.0	703119			
DN050	60.3 x 2.0	60.3	31.0	68 x 2.0	36.0	703118			
DN065	76.1 x 2.0	76.1	38.0	90 x 3.0	36.0	703120			
DN080	88.9 x 2.3	88.9	38.0	100 x 3.0	36.0	703115			
DN100	114.3 x 2.3	114.3	40.0	130 x 4.0	36.0	703114			