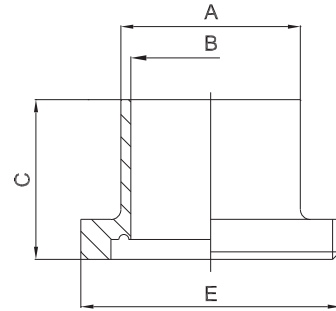




## 2.2.2 S Steril-Gewindestutzen DIN 11864-1-A

aseptic threaded connecting piece (male part)



zusätzliche Oberflächenqualitäten analog Seite | additional surface qualities analog page 14

weitere Abmessungen auf Anfrage | further dimensions on request

DIN	Abmessung dimension	A	B	C	E (Rd)	MB 1.4435	e-pol. 1.4435	MB 1.4404	e-pol. 1.4404
DN010*	12.0 x 1.0	12.0	10.0	41.0	28 x 1/8"	704006	710068	XXX	XXX
DN010	13.0 x 1.5	13.0	10.0	41.0	28 x 1/8"	703280	709540	705142	710069
DN015	19.0 x 1.5	19.0	16.0	41.0	34 x 1/8"	703002	709541	705076	710070
DN020	23.0 x 1.5	23.0	20.0	43.0	44 x 1/8"	703260	709542	705141	710071
DN025	29.0 x 1.5	29.0	26.0	43.0	52 x 1/8"	703276	709543	704921	710072
DN032	35.0 x 1.5	35.0	32.0	48.0	58 x 1/8"	703277	709544	704046	710073
DN040	41.0 x 1.5	41.0	38.0	48.0	65 x 1/8"	703278	709545	704949	710074
DN050	53.0 x 1.5	53.0	50.0	48.0	78 x 1/8"	703279	709546	704963	710075
DN065	70.0 x 2.0	70.0	66.0	60.0	95 x 1/8"	703282	709547	704962	710076
DN080	85.0 x 2.0	85.0	81.0	64.0	110 x 1/4"	703283	709548	704961	710077
DN100	104.0 x 2.0	104.0	100.0	64.0	130 x 1/4"	703284	709549	705143	710078

ISO	Abmessung dimension	A	B	C	E (Rd)	MB 1.4435	e-pol. 1.4435	MB 1.4404	e-pol. 1.4404
DN008	13.5 x 1.6	13.5	10.3	41.0	28 x 1/8"	704642	707350	707323	707361
DN010	17.2 x 1.6	17.2	14.0	41.0	34 x 1/8"	704641	707351	707324	707362
DN015	21.3 x 1.6	21.3	18.1	43.0	44 x 1/8"	703281	707352	705046	707363
DN020	26.9 x 1.6	26.9	23.7	43.0	52 x 1/8"	703285	707353	705491	707364
DN025	33.7 x 2.0	33.7	29.7	48.0	58 x 1/8"	703286	707354	705144	707365
DN032	42.4 x 2.0	42.4	38.4	48.0	65 x 1/8"	703287	707355	705145	707366
DN040	48.3 x 2.0	48.3	44.3	49.0	78 x 1/8"	703288	707356	704985	707367
DN050	60.3 x 2.0	60.3	56.3	60.0	95 x 1/8"	703289	707357	705146	707368
DN065	76.1 x 2.0	76.1	72.1	64.0	110 x 1/4"	703290	707358	705147	707369
DN080	88.9 x 2.3	88.9	84.3	64.0	130 x 1/4"	703291	707359	705148	707370
DN100*	114.3 x 2.3	114.3	109.7	68.0	160 x 1/4"	700039	707360	705149	707371

ASME BPE	Abmessung dimension	A	B	C	E (Rd)	MB 1.4435	e-pol. 1.4435	MB 1.4404	e-pol. 1.4404
DN 1/2"	12.7 x 1.65	12.7	9.4	41.0	28 x 1/8"	704640	710079	709907	710087
DN 3/4"	19.05 x 1.65	19.05	15.75	41.0	34 x 1/8"	704639	710080	709908	710088
DN 1"	25.4 x 1.65	25.4	22.1	43.0	52 x 1/8"	703292	710081	705150	710089
DN 1 1/2"	38.1 x 1.65	38.1	34.8	48.5	65 x 1/8"	703269	710082	705151	710090
DN 2"	50.8 x 1.65	50.8	47.5	48.5	78 x 1/8"	703293	710083	705152	710091
DN 2 1/2"	63.5 x 1.65	63.5	60.2	60.0	95 x 1/8"	703294	710084	705153	710092
DN 3"	76.2 x 1.65	76.2	72.9	64.0	110 x 1/4"	703295	710085	705154	710093
DN 4"	101.6 x 2.11	101.6	97.38	64.0	130 x 1/4"	703296	710086	705155	710094

\*) nicht in der DIN-Norm enthalten | non-standard