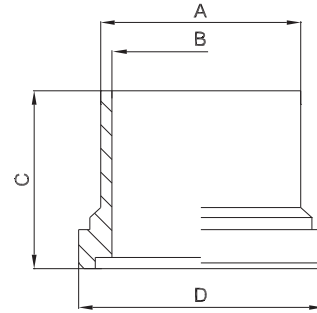




## 2.2.3 S Steril-Bundstutzen DIN 11864-1-A

aseptic liner



zusätzliche Oberflächenqualitäten analog Seite | additional surface qualities analog page 14

weitere Abmessungen auf Anfrage | further dimensions on request

DIN	Abmessung dimension	A	B	C	D		MB 1.4435	e-pol. 1.4435	MB 1.4404	e-pol. 1.4404
DN010*	12.0 x 1.0	12.0	10.0	39.0	21.9		706780	710018	XXX	XXX
DN010	13.0 x 1.5	13.0	10.0	39.0	21.9		703250	705695	705123	710019
DN015	19.0 x 1.5	19.0	16.0	39.0	27.9		703251	709550	705602	710020
DN020	23.0 x 1.5	23.0	20.0	38.0	35.9		703252	709551	704045	710021
DN025	29.0 x 1.5	29.0	26.0	40.0	42.9		703253	709552	704978	710022
DN032	35.0 x 1.5	35.0	32.0	47.0	48.9		703254	709553	705124	710023
DN040	41.0 x 1.5	41.0	38.0	47.0	54.9		703255	709554	705086	710024
DN050	53.0 x 1.5	53.0	50.0	48.0	66.9		703256	709555	705125	710025
DN065	70.0 x 2.0	70.0	66.0	61.0	84.9		703257	709556	704975	710026
DN080	85.0 x 2.0	85.0	81.0	61.0	98.9		703258	709557	705126	710027
DN100	104.0 x 2.0	104.0	100.0	66.0	118.9		703258	709558	705025	710028

ISO	Abmessung dimension	A	B	C	D		MB 1.4435	e-pol. 1.4435	MB 1.4404	e-pol. 1.4404
DN008	13.5 x 1.6	13.5	10.3	39.0	21.9		704645	707383	707328	707394
DN010	17.2 x 1.6	17.2	14.0	39.0	27.9		704646	707384	707329	707395
DN015	21.3 x 1.6	21.3	18.1	40.0	35.9		703261	707385	705028	707396
DN020	26.9 x 1.6	26.9	23.7	41.0	42.9		703262	707386	705128	707397
DN025	33.7 x 2.0	33.7	29.7	47.0	48.9		703263	707387	705129	707398
DN032	42.4 x 2.0	42.4	38.4	47.0	54.9		703264	707388	705130	707399
DN040	48.3 x 2.0	48.3	44.3	48.0	66.9		703265	707389	705036	707400
DN050	60.3 x 2.0	60.3	56.3	62.0	84.9		703266	707390	705131	707401
DN065	76.1 x 2.0	76.1	72.1	61.0	98.9		703267	707391	705132	707402
DN080	88.9 x 2.3	88.9	84.3	68.0	118.9		703268	707392	705133	707403
DN100*	114.3 x 2.3	114.3	109.7	72.0	147.9		704647	707393	707330	707404

ASME BPE	Abmessung dimension	A	B	C	D		MB 1.4435	e-pol. 1.4435	MB 1.4404	e-pol. 1.4404
DN 1/2"	12.7 x 1.65	12.7	9.4	39.0	21.9		704644	710029	709909	710037
DN 3/4"	19.05 x 1.65	19.05	15.75	39.0	27.9		704643	710030	709910	710038
DN 1"	25.4 x 1.65	25.4	22.1	40.0	42.9		703270	710031	705135	710039
DN 1 1/2"	38.1 x 1.65	38.1	34.8	46.5	54.9		703271	710032	705136	710040
DN 2"	50.8 x 1.65	50.8	47.5	47.5	66.9		703272	710033	705137	710041
DN 2 1/2"	63.5 x 1.65	63.5	60.2	63.0	84.9		703273	710034	705138	710042
DN 3"	76.2 x 1.65	76.2	72.9	61.0	98.9		703274	710035	705139	710043
DN 4"	101.6 x 2.11	101.6	97.38	65.0	118.9		703275	710036	705140	710044

\*) nicht in der DIN-Norm enthalten | non-standard