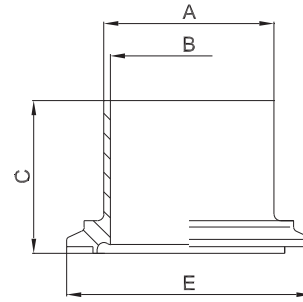




## 2.6.2 S Steril-Nutclampstutzen DIN 11864-3-A

aseptic clamp with groove



zusätzliche Oberflächenqualitäten analog Seite | additional surface qualities analog page 48

weitere Abmessungen auf Anfrage | further dimensions on request

DIN	Abmessung dimension	A	B	C	E	MB 1.4435	e-pol. 1.4435	MB 1.4404	e-pol. 1.4404
DN010*	12.0 x 1.0	12.0	10.0	39.5	Ø 34.0	706781	708260	XXX	XXX
DN010	13.0 x 1.5	13.0	10.0	39.5	Ø 34.0	704775	709067	706118	710362
DN015	19.0 x 1.5	19.0	16.0	39.5	Ø 34.0	704776	708253	706119	710363
DN020	23.0 x 1.5	23.0	20.0	39.5	Ø 50.5	704777	708256	706120	709314
DN025	29.0 x 1.5	29.0	26.0	40.0	Ø 50.5	704778	708255	705127	710364
DN032	35.0 x 1.5	35.0	32.0	45.5	Ø 50.5	704779	709068	706121	710365
DN040	41.0 x 1.5	41.0	38.0	45.5	Ø 64.0	704780	710353	706122	710366
DN050	53.0 x 1.5	53.0	50.0	46.0	Ø 77.5	704781	710354	706123	710367
DN065	70.0 x 2.0	70.0	66.0	58.0	Ø 91.0	704782	710355	706124	710368
DN080	85.0 x 2.0	85.0	81.0	60.0	Ø 106.0	704783	710356	706125	710369
DN100	104.0 x 2.0	104.0	100.0	61.5	Ø 130.0	704784	710357	706126	710370
DN125*	129.0 x 2.0	129.0	125.0	61.5	Ø 155.0	710351	710358	710360	710371
DN150*	154.0 x 2.0	154.0	150.0	61.5	Ø 183.0	710352	710359	710361	710372

ISO	Abmessung dimension	A	B	C	E	MB 1.4435	e-pol. 1.4435	MB 1.4404	e-pol. 1.4404
DN008	13.5 x 1.6	13.5	10.3	39.5	Ø 34.0	704585	707552	706578	707563
DN010	17.2 x 1.6	17.2	14.0	39.5	Ø 34.0	704765	707553	706579	707564
DN015	21.3 x 1.6	21.3	18.1	40.5	Ø 34.0	704766	707554	706580	707565
DN020	26.9 x 1.6	26.9	23.7	40.5	Ø 50.5	704767	707555	706581	707566
DN025	33.7 x 2.0	33.7	29.7	45.5	Ø 50.5	704768	707556	706582	707567
DN032	42.4 x 2.0	42.4	38.4	45.5	Ø 64.0	704769	707557	706583	707568
DN040	48.3 x 2.0	48.3	44.3	46.5	Ø 64.0	704770	707558	706584	707569
DN050	60.3 x 2.0	60.3	56.3	58.5	Ø 91.0	704771	707559	706585	707570
DN065	76.1 x 2.0	76.1	72.1	60.0	Ø 106.0	704772	707560	706586	707571
DN080	88.9 x 2.3	88.9	84.3	62.5	Ø 119.0	704773	707561	706587	707572
DN100*	114.3 x 2.3	114.3	109.7	66.5	Ø 144.4	704774	707562	706588	707573
DN125*	139.7 x 2.6	139.7	134.5	61.5	Ø 155.0	710373	710376	710379	710382
DN150*	168.3 x 2.6	168.3	163.1	61.5	Ø 183.0	710374	710377	710380	710383
DN200*	219.1 x 2.6	219.1	213.9	61.5	Ø 233.5	710375	710378	710381	710384

ASME BPE	Abmessung dimension	A	B	C	E	MB 1.4435	e-pol. 1.4435	MB 1.4404	e-pol. 1.4404
DN 1/2"	12.7 x 1.65	12.7	9.4	39.5	Ø 34.0	704785	710385	710393	710401
DN 3/4"	19.05 x 1.65	19.05	15.75	39.5	Ø 34.0	704786	710386	710394	710402
DN 1"	25.4 x 1.65	25.4	22.1	40.0	Ø 50.5	704787	710387	710395	710403
DN 1 1/2"	38.1 x 1.65	38.1	34.8	45.5	Ø 64.0	704788	710388	710396	710404
DN 2"	50.8 x 1.65	50.8	47.5	46.0	Ø 77.5	704789	710389	710397	710405
DN 2 1/2"	63.5 x 1.65	63.5	60.2	59.0	Ø 91.0	704790	710390	710398	710406
DN 3"	76.2 x 1.65	76.2	72.9	60.0	Ø 106.0	704791	710391	710399	710407
DN 4"	101.6 x 2.11	101.6	97.38	61.0	Ø 130.0	704792	710392	710400	710408

\*) nicht in der DIN-Norm enthalten | non-standard