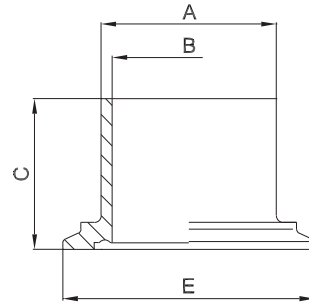




2.6.3 S Steril-Bundclampstutzen DIN 11864-3-A

aseptic clamp with collar



zusätzliche Oberflächenqualitäten analog Seite | additional surface qualities analog page 48

weitere Abmessungen auf Anfrage | further dimensions on request

DIN	Abmessung dimension	A	B	C	E		MB 1.4435	e-pol. 1.4435	MB 1.4404	e-pol. 1.4404
DN010*	12.0 x 1.0	12.0	10.0	38.0	Ø 34.0		706782	708259	XXX	XXX
DN010	13.0 x 1.5	13.0	10.0	38.0	Ø 34.0		704740	710411	706137	710421
DN015	19.0 x 1.5	19.0	16.0	38.0	Ø 34.0		704308	708254	706138	710422
DN020	23.0 x 1.5	23.0	20.0	38.0	Ø 50.5		704309	708258	706139	709313
DN025	29.0 x 1.5	29.0	26.0	38.5	Ø 50.5		704310	708257	706140	710423
DN032	35.0 x 1.5	35.0	32.0	44.0	Ø 50.5		704741	709066	706141	710424
DN040	41.0 x 1.5	41.0	38.0	44.0	Ø 64.0		704742	710412	706142	710425
DN050	53.0 x 1.5	53.0	50.0	44.5	Ø 77.5		704743	710413	706143	710426
DN065	70.0 x 2.0	70.0	66.0	56.5	Ø 91.0		704744	710414	706144	710427
DN080	85.0 x 2.0	85.0	81.0	58.5	Ø 106.0		704745	710415	706145	710428
DN100	104.0 x 2.0	104.0	100.0	60.0	Ø 130.0		704746	710416	706146	710429
DN125*	129.0 x 2.0	129.0	125.0	60.0	Ø 155.0		710409	710417	710419	710430
DN150*	154.0 x 2.0	154.0	150.0	60.0	Ø 183.0		710410	710418	710420	710431

ISO	Abmessung dimension	A	B	C	E		MB 1.4435	e-pol. 1.4435	MB 1.4404	e-pol. 1.4404
DN008	13.5 x 1.6	13.5	10.3	38.0	Ø 34.0		704586	707585	706600	707596
DN010	17.2 x 1.6	17.2	14.0	38.0	Ø 34.0		704755	707586	706601	707597
DN015	21.3 x 1.6	21.3	18.1	39.0	Ø 34.0		704756	707587	706602	707598
DN020	26.9 x 1.6	26.9	23.7	39.0	Ø 50.5		704757	707588	706603	707599
DN025	33.7 x 2.0	33.7	29.7	44.0	Ø 50.5		704758	707589	706604	707600
DN032	42.4 x 2.0	42.4	38.4	44.0	Ø 64.0		704559	707590	706605	707601
DN040	48.3 x 2.0	48.3	44.3	45.0	Ø 64.0		704759	707591	706606	707602
DN050	60.3 x 2.0	60.3	56.3	57.0	Ø 91.0		704760	707592	706607	707603
DN065	76.1 x 2.0	76.1	72.1	58.5	Ø 106.0		704761	707593	706608	707604
DN080	88.9 x 2.3	88.9	84.3	61.0	Ø 119.0		704762	707594	706609	707605
DN100*	114.3 x 2.3	114.3	109.7	65.0	Ø 144.4		704763	707595	706610	707606
DN125*	139.7 x 2.6	139.7	134.5	60.0	Ø 155.0		710432	710435	710438	710441
DN150*	168.3 x 2.6	168.3	163.1	60.0	Ø 183.0		710433	710436	710439	710442
DN200*	219.1 x 2.6	219.1	213.9	60.0	Ø 233.5		710434	710437	710440	710443

ASME BPE	Abmessung dimension	A	B	C	E		MB 1.4435	e-pol. 1.4435	MB 1.4404	e-pol. 1.4404
DN 1/2"	12.7 x 1.65	12.7	9.4	38.0	Ø 34.0		704747	710444	710452	710459
DN 3/4"	19.05 x 1.65	19.05	15.75	38.0	Ø 34.0		704748	710445	710453	710460
DN 1"	25.4 x 1.65	25.4	22.1	38.5	Ø 50.5		704749	710446	710454	710461
DN 1 1/2"	38.1 x 1.65	38.1	34.8	44.0	Ø 64.0		704750	710447	710455	710462
DN 2"	50.8 x 1.65	50.8	47.5	44.5	Ø 77.5		704751	710448	710456	710463
DN 2 1/2"	63.5 x 1.65	63.5	60.2	57.5	Ø 91.0		704752	710449	709455	710464
DN 3"	76.2 x 1.65	76.2	72.9	58.5	Ø 106.0		704753	710450	710457	710465
DN 4"	101.6 x 2.11	101.6	97.38	59.5	Ø 130.0		704754	710451	710458	710466

*) nicht in der DIN-Norm enthalten | non-standard