



**Legende**

- A Innendurchmesser
- B Schaft-Durchmesser
- C Gesamtlänge
- E Bandbreite / -stärke
- G Schraubengröße

**Werkstoffe**

1.4301

**weitere Werkstoffe auf Anfrage**

**Oberflächenbeschaffenheit**

elektropoliert

**Key**

- internal diameter
- shank diameter
- total length
- strip width / -strength
- bolt size

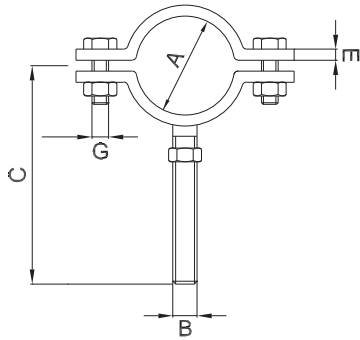
**Materials**

304

**further materials on request**

**Surface condition**

electropolished



weitere Abmessungen auf Anfrage | further dimensions on request

DIN	Abmessung dimension	A	B	C	E	G	1.4301 304			
DN010	12.0 x 1.0	12.0	M8	74.0	20.0 x 3.0	M6	701565			
DN010	13.0 x 1.5	12.0	M8	74.0	20.0 x 3.0	M6	701565			
DN015	19.0 x 1.5	18.0	M8	77.0	20.0 x 3.0	M6	701566			
DN020	23.0 x 1.5	22.0	M8	79.0	20.0 x 3.0	M6	701620			
DN025	29.0 x 1.5	28.0	M10	102.0	20.0 x 3.0	M6	701621			
DN032	35.0 x 1.5	34.0	M10	105.0	20.0 x 3.0	M6	701622			
DN040	41.0 x 1.5	40.0	M10	108.0	20.0 x 3.0	M6	701623			
DN050	53.0 x 1.5	52.0	M12	114.0	20.0 x 3.0	M6	701624			
DN065	70.0 x 2.0	70.0	M12	123.0	20.0 x 3.0	M6	701625			
DN080	85.0 x 2.0	85.0	M12	130.5	25.0 x 3.0	M6	702508			
DN100	104.0 x 2.0	104.0	M12	140.0	25.0 x 3.0	M6	702509			
DN125	129.0 x 2.0	129.0	M16	168.5	30.0 x 3.0	M8	701628			
DN150	154.0 x 2.0	154.0	M16	202.0	30.0 x 3.0	M8	701629			

ISO	Abmessung dimension	A	B	C	E	G	1.4301 304			
DN008	13.5 x 1.6	12.0	M8	74.0	20.0 x 3.0	M6	705529			
DN010	17.2 x 1.6	18.0	M8	74.0	20.0 x 3.0	M6	705530			
DN015	21.3 x 1.6	22.0	M8	79.0	20.0 x 3.0	M6	705531			
DN020	26.9 x 1.6	28.0	M10	102.0	25.0 x 3.0	M6	705532			
DN025	33.7 x 2.0	33.7	M10	104.5	25.0 x 3.0	M6	705533			
DN032	42.4 x 2.0	42.4	M10	109.0	25.0 x 3.0	M6	705534			
DN040	48.3 x 2.0	48.3	M10	112.0	25.0 x 3.0	M6	705535			
DN050	60.3 x 2.0	60.3	M12	118.0	25.0 x 3.0	M6	705536			
DN065	76.1 x 2.0	76.1	M12	125.5	25.0 x 3.0	M6	705537			
DN080	88.9 x 2.3	88.9	M12	132.0	25.0 x 3.0	M6	705538			
DN100	114.3 x 2.3	114.3	M12	145.0	25.0 x 3.0	M6	705539			
DN125	139.7 x 2.6	139.7	M16	169.5	30.0 x 3.0	M8	705540			
DN150	168.3 x 2.6	168.3	M16	184.0	40.0 x 4.0	M8	704385			

ASME BPE	Abmessung dimension	A	B	C	E	G	1.4301 304			
DN 1/2"	12.7 x 1.65	12.0	M8	94.0	20.0 x 2.0	M6	705541			
DN 3/4"	19.05 x 1.65	18.0	M8	97.0	20.0 x 2.0	M6	705542			
DN 1"	25.4 x 1.65	25.4	M10	100.5	20.0 x 3.0	M6	705543			
DN 1 1/2"	38.1 x 1.65	38.1	M10	106.5	20.0 x 3.0	M6	705544			
DN 2"	50.8 x 1.65	50.8	M12	113.0	20.0 x 3.0	M6	705545			
DN 2 1/2"	63.5 x 1.65	63.5	M12	119.5	20.0 x 3.0	M6	705546			
DN 3"	76.2 x 1.65	76.2	M12	126.0	25.0 x 3.0	M6	705547			
DN 4"	101.6 x 2.11	101.6	M12	138.5	25.0 x 3.0	M6	705548			